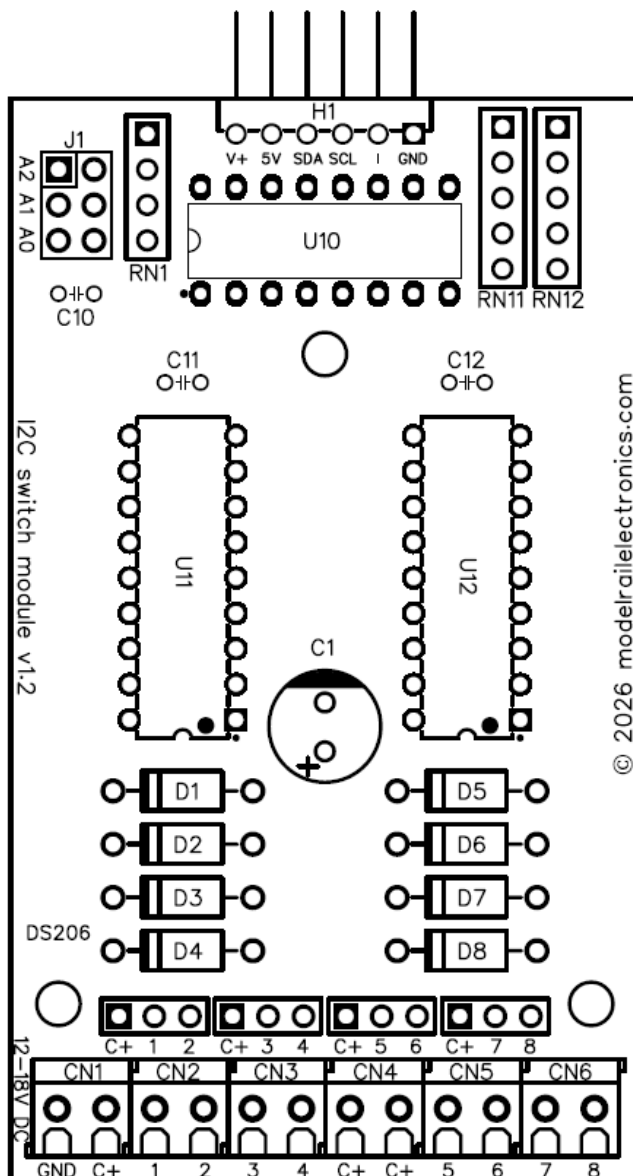


DS206 – I2C switch module v1.2

Mount the components in the below order (sort components in advance):

#	Quantity	Name	Value
1	3	C10, C11, C12	100n
2	1	J1	Pin header 3x2 male
3	1	RN1	3x10k array (A04-103J, check pin 1)
4	2	RN11, RN12	4x10k array (A05-103J, check pin 1)
5	1	H1	Pin header 1X6 male angle
6	1	U10	IC socket 16 pin
7	2	U11, U12	IC socket 18 pin
8	1	C1	Elco 680µF/25V
9	8	D1-D8	1N4007
10	4	C+ 1 2 → C+ 7 8	Pin header 3x1 male
11	2	CN1, CN4	KF350, 2P, Blue
12	4	CN2, CN3, CN5, CN6	KF350, 2P, Green
13	1	U10	PCF8574P
14	2	U11, U12	ULN2803
15	1	J1	Jumper



PCF8574 pin assignment:

Port 1 = P0
 Port 2 = P1
 Port 3 = P2
 Port 4 = P3
 Port 5 = P4
 Port 6 = P5
 Port 7 = P6
 Port 8 = P7

PCF8574 I2C addresses: (A2-A1-A0)

0-0-0	0x20
0-0-1	0x21
0-1-0	0x22
0-1-1	0x23
1-0-0	0x24
1-0-1	0x25
1-1-0	0x26
1-1-1	0x27

