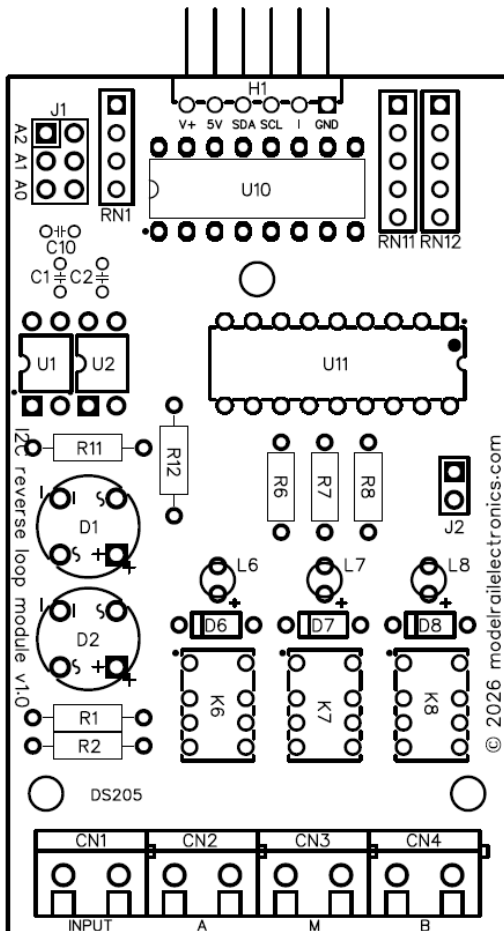


# DS205 – I2C reverse loop module v1.0

Mount the components in the below order (sort components in advance):

#	Quantity	Name	Value
1	3	C1, C2, C10	100n
2	2	R1, R2	4k7      Yellow-Violet-Black-Brown-Brown
3	3	R6, R7, R8	820      Grey-Red-Black-Black-Brown
4	2	R11, R12	100      Brown-Black-Black-Black-Brown
5	3	D6, D7, D8	1N4148
6	3	L6, L7, L8	LED 3mm, red, low current (1.75V, 2mA)
7	1	J1	Pin header 3x2 male
8	1	J2	Pin header 1x2 male
9	1	RN1	3x10k array (A04-103J, check pin 1)
10	2	RN11, RN12	4x10k array (A05-103J, check pin 1)
11	1	H1	Pin header 1X6 male angle
12	2	D1-D2	2W10
13	1	U1, U2	IC socket 8 pin
14	1	U10	IC socket 16 pin
15	1	U11	IC socket 18 pin
16	3	K6, K7, K8	HFD4/5 relay
17	4	CN1-CN4	KF301-5.0-2P, blue, green, black, red
18	1	U1, U2	PC814
19	1	U10	PCF8574P
20	1	U11	ULN2803
21	2	J1, J2	Jumper (optional)



## PCF8574 pin assignment:

- Port 1 = P0
- Port 2 = P1
- Port 3 = P2
- Port 4 = P3
- Port 5 = P4
- Port 6 = P5
- Port 7 = P6
- Port 8 = P7

## PCF8574 I2C addresses: (A2-A1-A0)

- 0-0-0      0x20
- 0-0-1      0x21
- 0-1-0      0x22
- 0-1-1      0x23
- 1-0-0      0x24
- 1-0-1      0x25
- 1-1-0      0x26
- 1-1-1      0x27

