
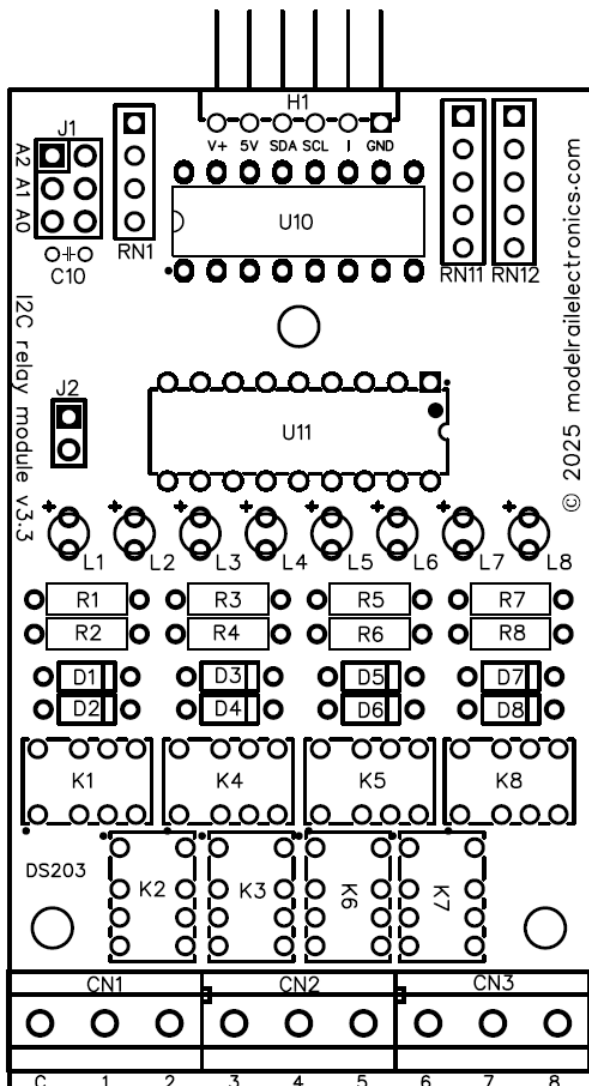


DS203 – I2C relay module v3.4

Mount the components in the below order (sort components in advance):

#	Quantity	Name	Value
1	1	C10	100n
2	8	L1-L8	LED 3mm, red, low current (1.75V, 2mA)
3	8	D1-D8	1N4148
4	1	RN1	3x10k array (A04-103J, check pin 1)
5	2	RN11,RN12	4x10k array (A05-103J, check pin 1)
6	8	R1-R8	820 Grey-Red-Black-Black-Brown 
7	1	J1	Pin header 3x2 male
8	1	J2	Pin header 1x2 male
8	1	H1	Pin header 1X6 male angle
9	1	U10	IC socket 16 pin
10	1	U11	IC socket 18 pin
11	8	K1-K8	HFD4/5 relay
12	3	CN1-3	KF301-5.0-3P
13	1	U10	PCF8574P
14	1	U11	ULN2803
15	1	J1	Jumper (optional) for I2C address selection
16	1	J2	Jumper (optional) for enable/disable led indication



PCF8574 pin assignment:

- Port 1 = P0
- Port 2 = P1
- Port 3 = P2
- Port 4 = P3
- Port 5 = P4
- Port 6 = P5
- Port 7 = P6
- Port 8 = P7

PCF8574 I2C addresses: (A2-A1-A0)

- 0-0-0 0x20
- 0-0-1 0x21
- 0-1-0 0x22
- 0-1-1 0x23
- 1-0-0 0x24
- 1-0-1 0x25
- 1-1-0 0x26
- 1-1-1 0x27